

**INSTRUCTIONS FOR INSTALLING A DELIVERY DOOR LOWER ANGLE KIT,
P/N 1452170, IN A NATIONAL VENDORS® SNACKTRON 1™
MERCHANDISER**

**CHECK THE PARTS RECEIVED IN THE KIT WITH THE PARTS LIST
IN THESE INSTRUCTIONS. IF ANY PARTS ARE MISSING, CONTACT
NATIONAL VENDORS' PARTS DEPARTMENT IMMEDIATELY.**

This kit contains the following:

Part Number	Description	Quantity
1452171	Installation Instructions	1
1452172	Delivery Door Lower Angle	1
7207019	No.8-18 x 3/8" Pan Head Screw	6

REMOVAL AND INSTALLATION

1. Open the Merchandiser Door and remove the Delivery Pan Assembly. See Figure 1.
2. Slide the Pivot Rod to one side and carefully remove the Delivery and Pilferage Door Assembly. See Figure 2.
3. Remove the bumpers and screws holding the Delivery Door Angle. See Figure 3.
4. Attach the Delivery Door Lower Angle (1452172) as shown in Figure 4.
5. See Figure 5 for final configuration.

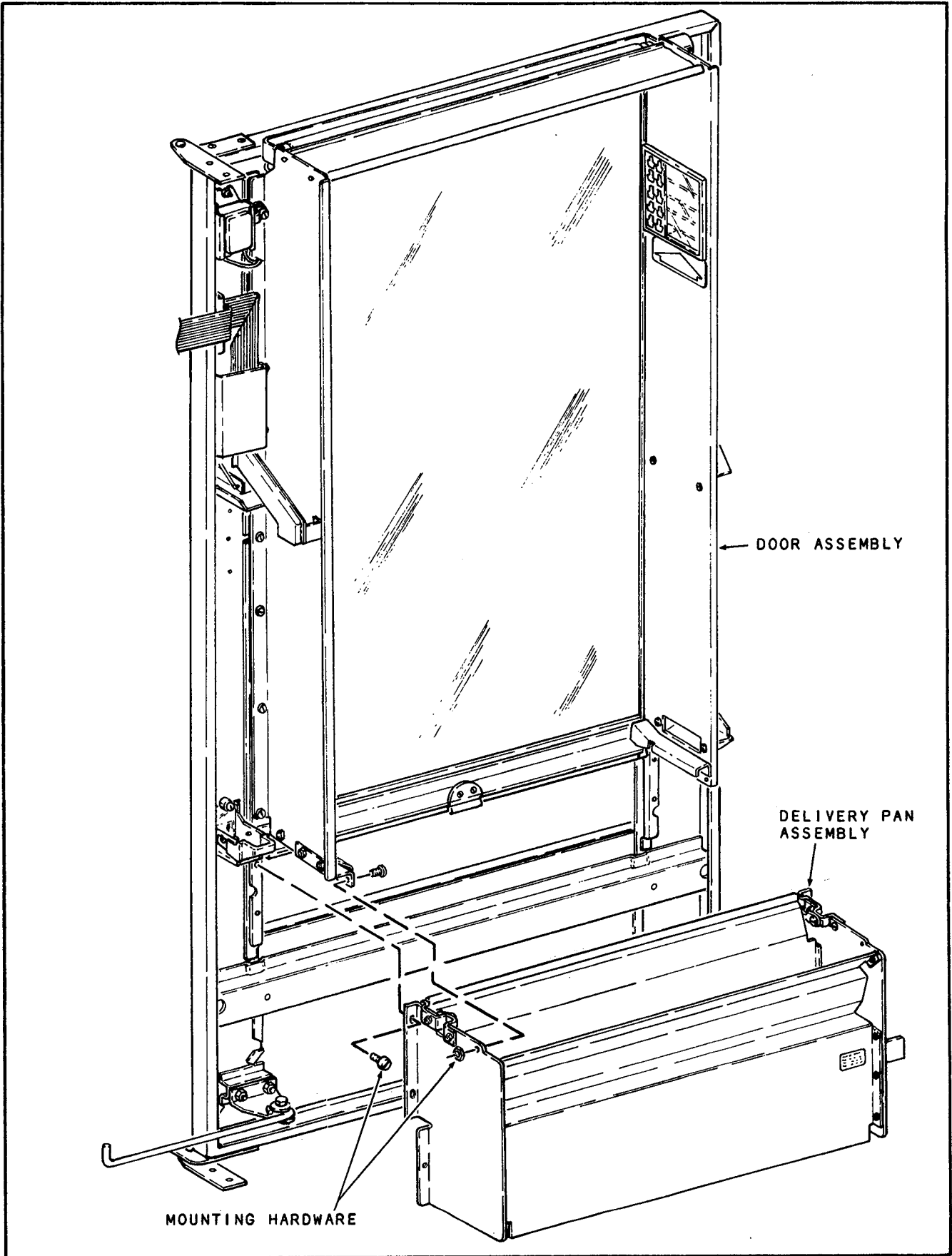


FIGURE 1

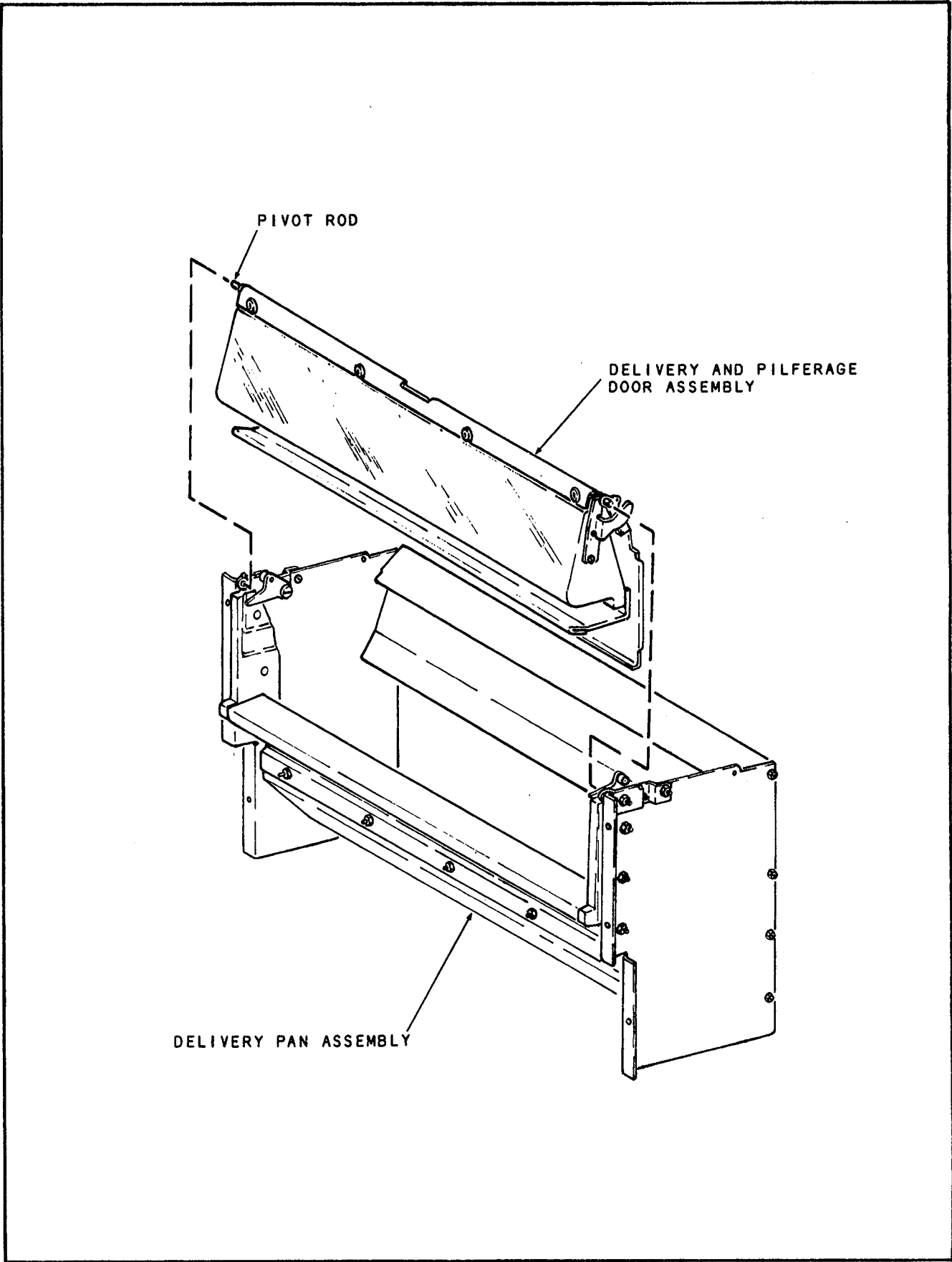


FIGURE 2

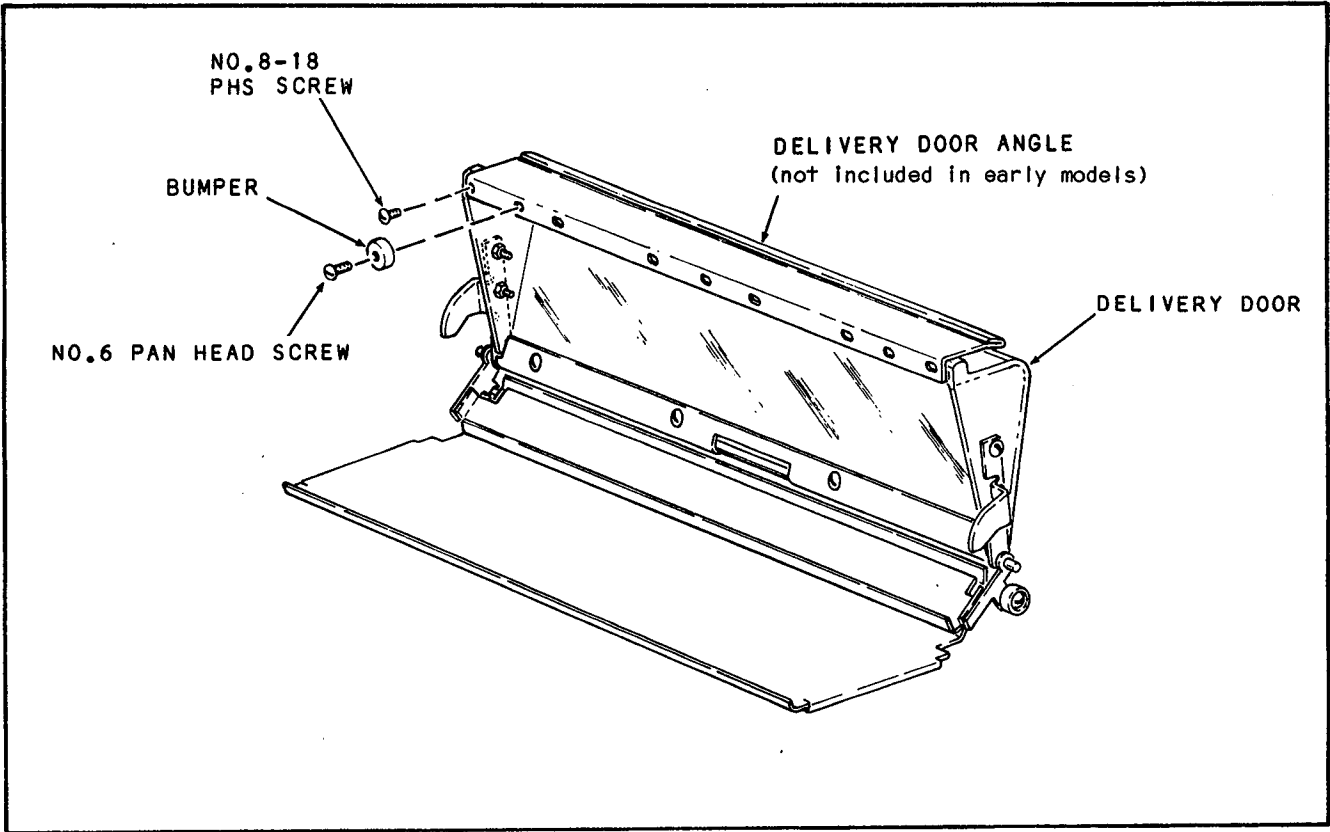


FIGURE 3

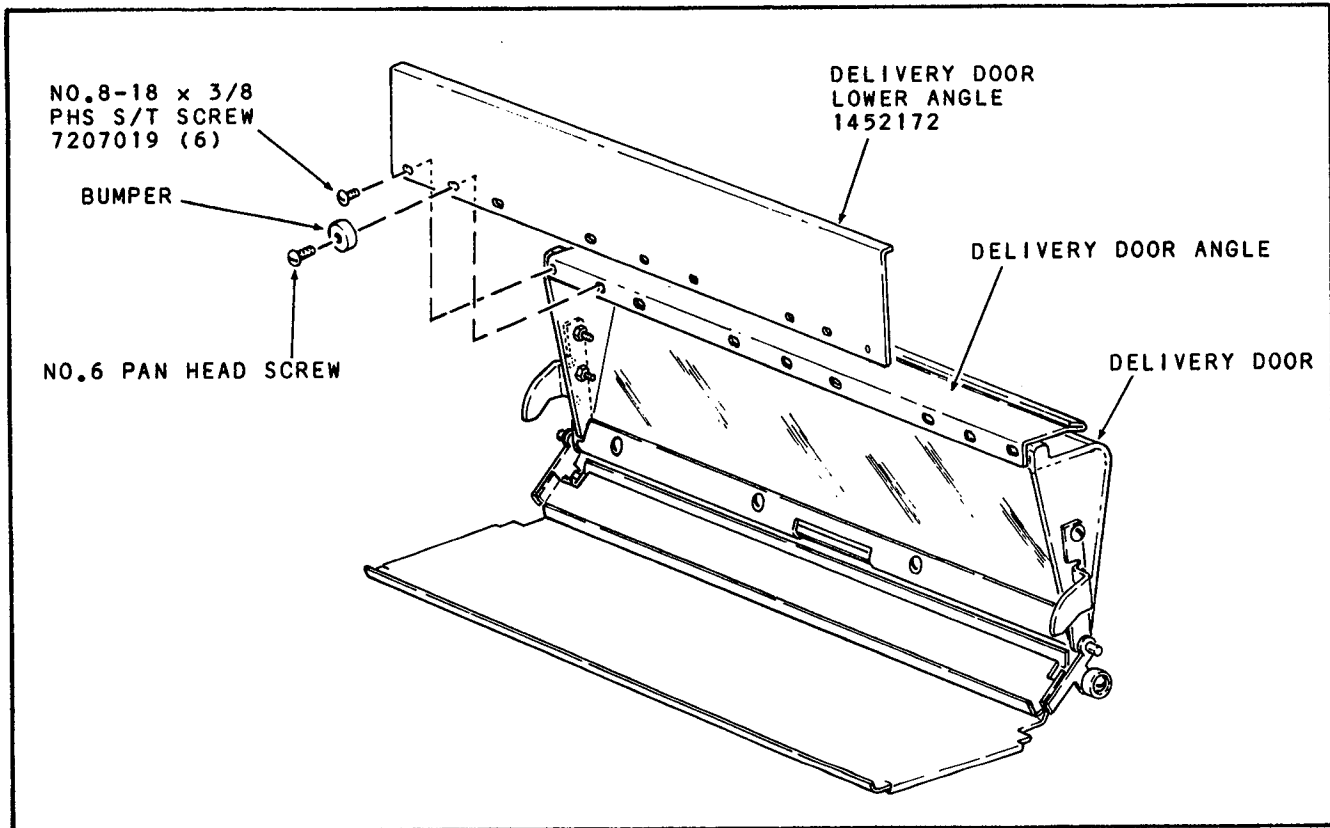


FIGURE 4

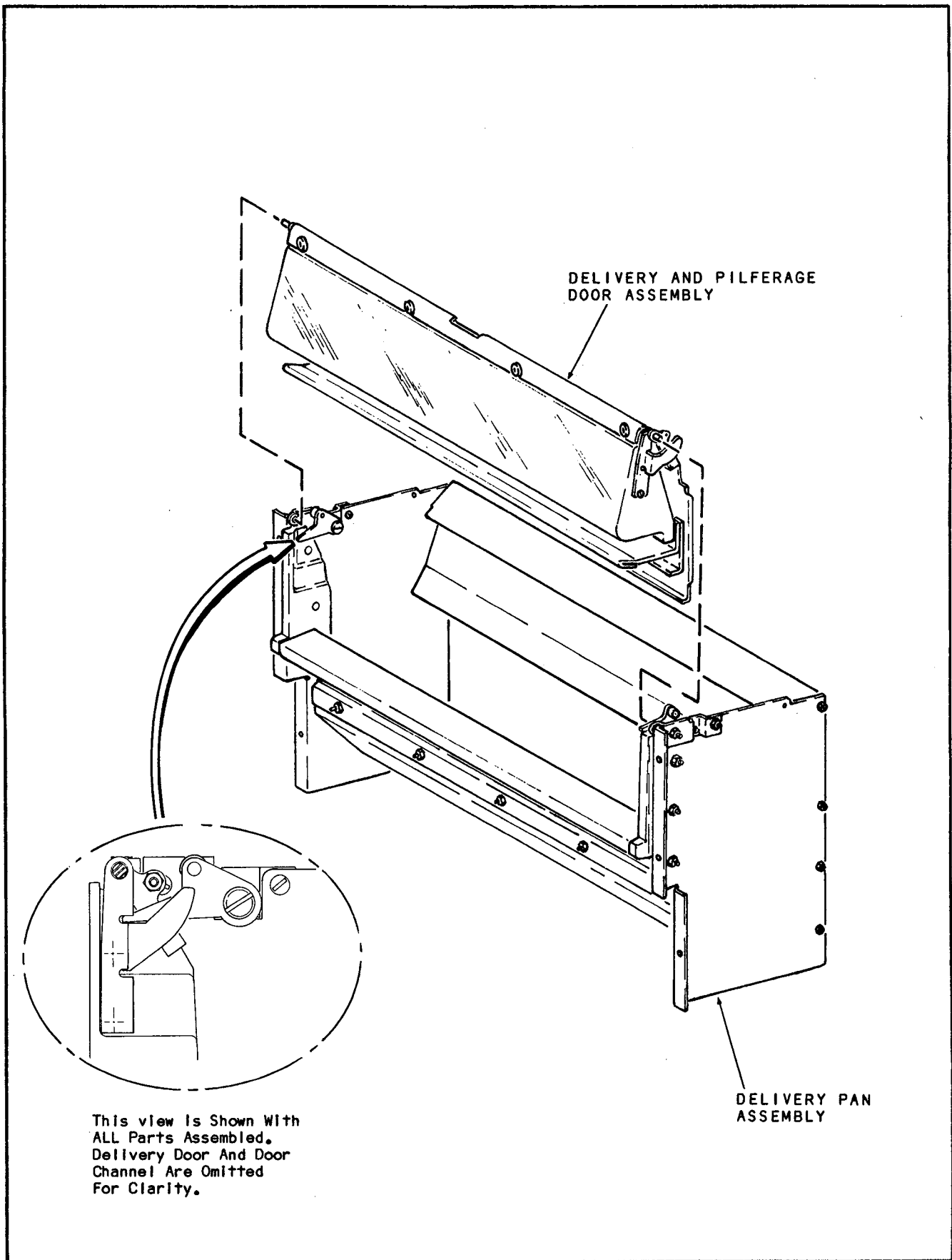


FIGURE 5